

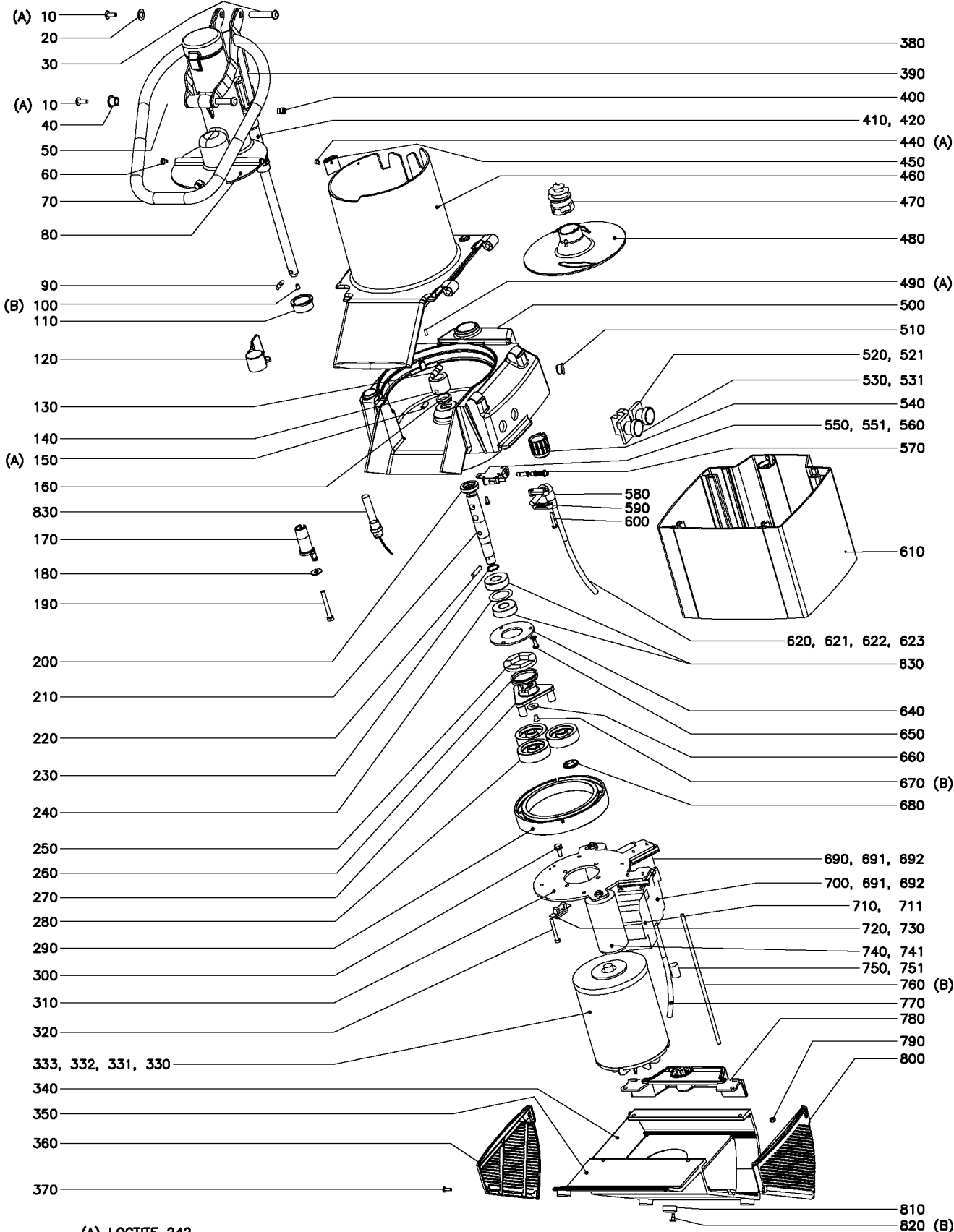


***Vegetable
Preparation Unit
VPU-250***



Spare Parts





(A) LOCTITE 242

(B) LOCTITE 243

Key No	Part No	Description	Quant
010	25190	SCREW	4
020	10642	WASHER, PLASTIC 18/10,5X1,5	2
030	25162	SHAFT L=45	1
040	25181	BUSHING 19/14-10,2	2
050	25189	SHAFT L=56	1
060	33305	SLIDE KNOB DIA.10X4	3
070	25155	PUSHER HANDLE	1
080	25102	FEEDER PLATE INCL SHAFT	1
090	25159	PIN, 6MM	1
100	14833	LOCK SCREW	1
110	25183	BUSHING 37/33-26,4	1
120	25134	LOCKING HANDLE	1
130	1157	CARRIER FOR CUTTING TOOLS	1
140	1169	THRUST SLEEVES RG200	1
150	1054	PIN	2
160	10262	SEAL RING V-18S	1
170	25164	COLLAR	1
180	14066	WASHER BRB 6,4X18X1,6	1
190	14528	SCREW MRT-TT M6X40	1
200	10259	RUBBER SEAL WASHER 18x30x7	1
210	1156	KNIFE SHAFT RG200	1
220	14907	PIN FRP 6x28 STEEL	1
230	10258	LOCK RING 17	1
240	10278	SPACING WASHER PS 28X40X0.3	1
250	1035	BRAKE DISC	1
260	1029	SPRING	1
270	1021	PLANETARY CARRIER	1
280	1024	PLANET WHEEL	3
290	1022	GEAR RING	1
300	14521	SCREW M6S M6X12H	4
310	25149	PLATE, MOTOR	1
320	14352	SCREW MCS M5X40	4
330	25125	MOTOR 100V 1 50/60 W. CUG WEEL	1
331	25126	MOTOR 120V 1 60 W. CUG WEEL	1
332	25127	MOTOR 230V 1 50/60 W. C-WEEL	1
333	25128	MOTOR 100/400V 3 50 W. C- WEEL	1
350	25140	BASE	1
360	25146	LOUVER, LEFT	1
370	14622	SCREW RTK ST3.5x13 A2 70	6
380	25194	PESTLE	1
390	25160	LINK	1
400	25191	SCREW FOR LINK SYSTEM	2
410	25161	SLEEVE FOR LINKSYSTEM	1
420	25182	BUSHING 18-15,3	2
430	14085	LOCK WASHER FBB 5.1	3
440	14223	SCREW MKFS M4x10 A2 70	1
450	25177	SUPPORT, PISTON	1



Key No	Part No	Description	Quant
460	25107	FEEDER UNIT COMPL HOBART	1
470	1172	DECORING DEVICE	1
480	25153	EJECTOR	1
490	14844	LOCKING SCREW PSS M8X12	1
500	25141	KNIFE CHAMBER	1
510	10455	PLUG IKPT 1715S	1
520	15657	PUSH BUTTON O, COMPLETE	1
521	15658	PUSH BUTTON OFF, COMPLETE	1
530	15655	PUSH BUTTON I, COMPLETE	1
531	15656	PUSH BUTTON ON, COMPLETE	1
540	25158	GUIDE BUSHING	1
550	25144	ACTIVATOR PIN	1
560	14851	SCREW PHX-TORX M4X10 CE-T	2
570	25163	ACTIVATOR PIN COMPL.	1
580	15648	SLEEVE 134-002 DIA. 12/8	1
590	10589	STRAIN RELIEF CLAMP 55-016-89	2
600	14337	SCREW MRX-H M4X25 A2 70	2
610	25137	MACHINE HOUSING COMPL.	1
620	15208	SUPPLY CORD SJT3X14AWG (UL)	1
621	15370	SUPPLY CORD EUR	1
621	22161	SUPPLY CORD 3PHASE	1
622	15377	SUPPLY CORD BS/2.5mS UK	1
630	10255	BALL BEARING 6203-2RS	2
640	1032	BALL BEARING COVER	1
650	14343	SCREW MCS M5X12	3
660	10296	CUP SPRING 18X8.2X0.7	1
670	14156	SCREW	1
680	10274	LOCKING WASHER 12X21	3
690	15521	CONT.LC1-K0610F7 110V 50/60	1
691	15523	CONT.LC1-K0610U7 230-240 50/60	2
692	15524	CONT.LC1-K0610Q7 380-400 50/60	2
700	15166	CONTACTOR LC1-D1210F7 110V	1
710	15530	OVERLOAD REL.LR2-0307 1.2-1.8	1
711	15534	OVERLOAD REL.LR2-K0314 5.5-8.0	1
720	15385	FUSE HOLDER	1
730	15384	FUSE T100MA	1
740	15659	CAPACITOR ---- MF, 120V	2
741	15660	CAPACITOR ----- MF,230V, RES	1
750	15132	RC-CIRCUIT B3-110 110V	1
751	15133	RC-CIRCUIT B3-220 220V	1
760	25136	DRAW BAR KIT M5	1
770	25135	WIRING KIT	1
780	25148	HANDLE	1
790	14046	NUT, LOCKING LM M5	4
800	25147	LOUVER, RIGHT	1
810	10507	FOOT,RUBBER BVO 22H10	4
820	40786	SCREW FOR RUBBERFOOT	4
830	15354	MAGNETIC SWITCH PR15.2-AWG-AX	1



Plates/Grids for VPU-200 and VPU-250 (ø 185 mm)



Standard Slicer



Dicing Cutter



Crimping Slicer

Item No	Description		
82046	Standard Slicer (1 blade), 6 mm		
82040	Standard Slicer (1 blade), 8 mm		
82185	Standard Slicer (1 blade), 10 mm		
82263	Dicing Cutter (2 blades), 12.5 mm <i>Use with Dicing Grid 12.5x12.5 mm or larger</i>		
82034	Crimping Slicer (1 blade), 4.5 mm		



Fine Cut Slicer
1 or 2 blades



82062	Fine Cut Slicer (2 blades), 0.5 mm		
82138	Fine Cut Slicer (2 blades), 1 mm		
82176	Fine Cut Slicer (2 blades), 1.5 mm		
82025	Fine Cut Slicer (2 blades), 2 mm		
82223	Fine Cut Slicer (1 blade), 3 mm		
82179	Fine Cut Slicer (1 blade), 4 mm		
82189	Fine Cut Slicer (1 blade), 6 mm		
82192	Fine Cut Slicer (1 blade), 10 mm		
82195	Fine Cut Slicer (1 blade), 14 mm <i>Use separately or with LOW Dicing Grid 20x20 mm (82325)</i>		



Julienne Cutter

82237	Julienne Cutter (2 blades), 2x2 mm		
82240	Julienne Cutter (2 blades), 2.5x2.5 mm		
82182	Julienne Cutter (1 blade), 4.5x4.5 mm		
82243	Julienne Cutter (1 blade), 6x6 mm		
82246	Julienne Cutter (1 blade), 8x8 mm		
82101	Julienne Cutter (1 blade), 10x10 mm		



Dicing Grid



Potato Chips Grid
FOR VPU/FP-250 ONLY

Dicing Grids for VPU200, VPU-250, VPU-100			
82320	Dicing Grid, 6.25x6.25 mm		
82321	Dicing Grid, 7.5x7.5 mm		
82322	Dicing Grid, 10x10 mm		
82323	Dicing Grid, 12.5x12.5 mm		
82324	Dicing Grid, 15x15 mm		
82325	Dicing Grid (LOW), 20x20 mm <i>Use with Fine Cut Slicer 14 mm (82195)</i>		

82229	Potato Chips Grid/French Fry Grid 10 mm, <i>Use with Fine Cut Slicer 10 mm (82192), FOR VPU-250 ONLY!</i>		
-------	---	--	--



Fine Grater

141308	82203 Grater/Shredder 1.5 mm	Plate Only 140505-19	
141309	82204 Grater/Shredder 2 mm	Plate Only 140505-5	
141310	82205 Grater/Shredder 3 mm	Plate Only 140505-7	
141311	82206 Grater/Shredder 4.5 mm	Plate Only 140505-6	
141312	82207 Grater/Shredder 6 mm	Plate Only 140505-9	
141313	82208 Grater/Shredder 8 mm	Plate Only 140505-8	
	82347 Grater/Shredder 10 mm		

82209	Fine Grater		
-------	-------------	--	--



As continued product improvement is a policy of HOBART, specifications are subject to change with-out notice.

19.09.2003-Issue-1